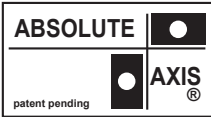


BASELINE[®] EVALUATION INSTRUMENTS

ABSOLUTE+AXIS[®] GONIOMETER

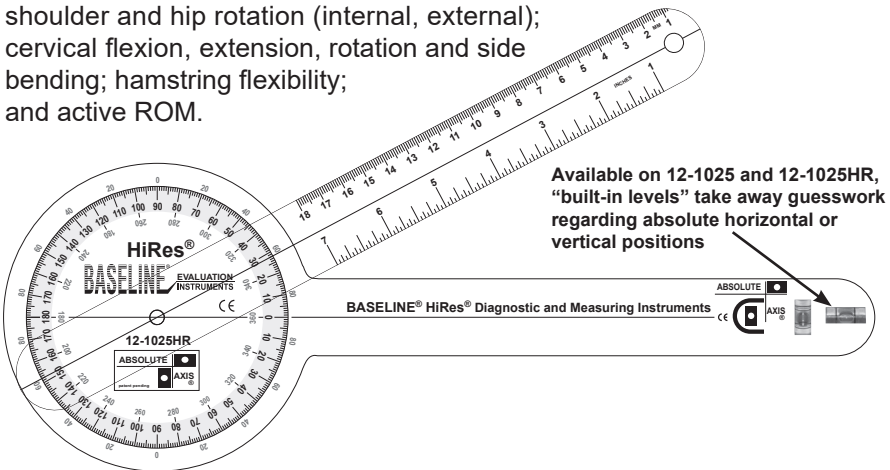


**A New Improvement In Goniometry -
HORIZONTAL AND VERTICAL LEVELS**
Finally...No More Guesswork!

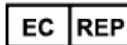
Many goniometric measurements require the practitioner to place one arm of the goniometer in either the horizontal or vertical position. The other arm is then lined-up with the patient's body segment.

Until now, the practitioner had to "assume" or "eyeball" the vertical or horizontal position. This interpretation of horizontal or vertical is often incorrect and allows for measurement error. The Absolute+Axis (**AA**) goniometer removes the "assume" and "eyeball" by establishing a "true" vertical or horizontal. The Absolute+Axis goniometer removes measurement variability and allows the practitioner to concentrate on correct placement of the other goniometer arm and the patient's body position.

Some measurements the **AA** goniometer is designed to improve are:
shoulder and hip rotation (internal, external);
cervical flexion, extension, rotation and side
bending; hamstring flexibility;
and active ROM.



Fabrication Enterprises Inc.
250 Clearbrook Rd, Suite 240
Elmsford, NY 10523 (USA)
tel: +1-914-345-9300 • 800-431-2830
fax: +1-914-345-9800 • 800-634-5370
FabEnt.com

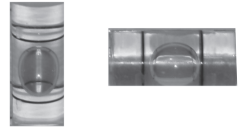


AJW Technology Consulting GmbH
Breite Strasse 3
40213 Düsseldorf (Germany)

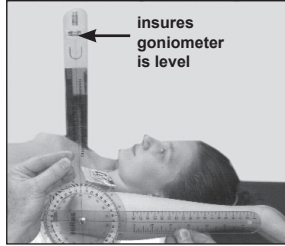


WARNING: Cancer and Reproductive Harm - www.P65Warnings.ca.gov

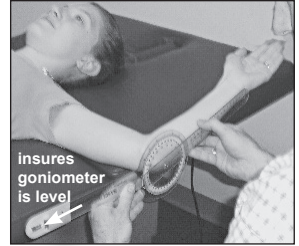
Make sure "bubble" on level is centered. → This makes rotation measurement accurate.



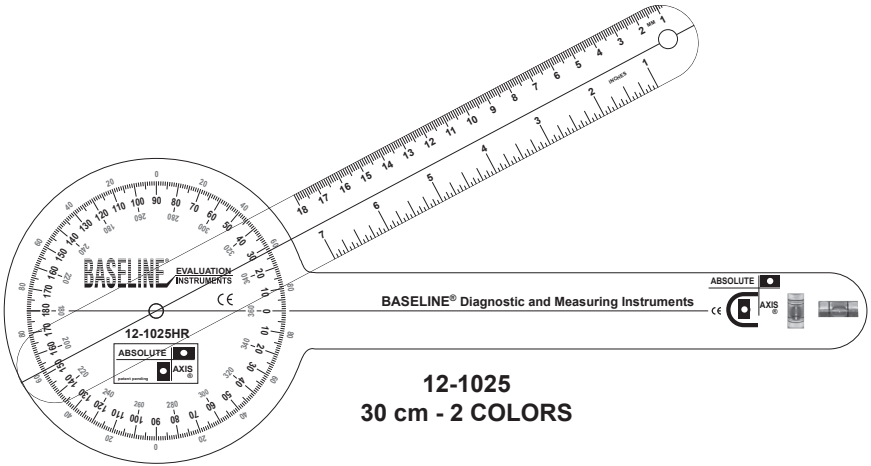
hip external rotation



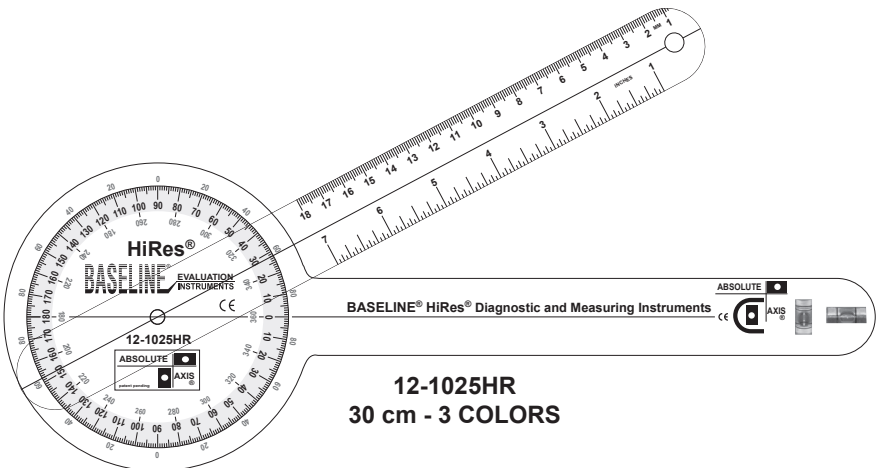
shoulder external rotation



elbow external rotation



12-1025
30 cm - 2 COLORS

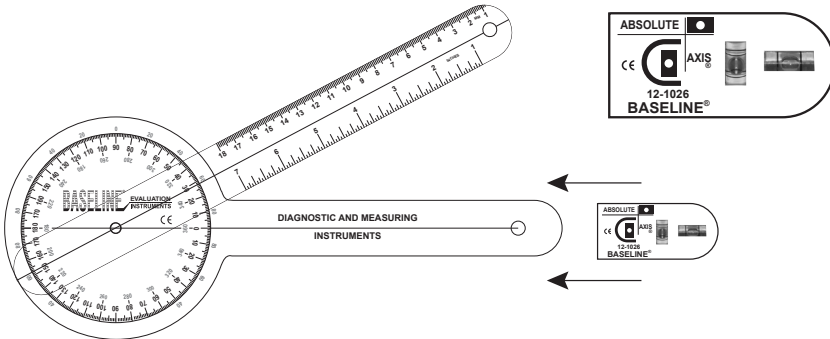


12-1025HR
30 cm - 3 COLORS

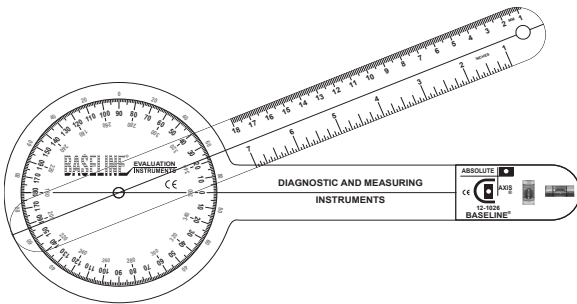
Absolute+Axis® Attachment (12-1026) for 30 cm Plastic Goniometers 12-1000 and 12-1000HR

Perfect for those practitioners who currently own a 30 cm 360° plastic goniometer. Attachment slides “snugly” onto one arm of the goniometer providing the accuracy of a true **Absolute+Axis®** and does not interfere with the goniometer’s function.

12-1026 Absolute+Axis® Attachment



**TO CONVERT EXISTING GONIOMETER INTO AN ABSOLUTE+AXIS®,
SLIDE PART #12-1026 OVER GONIOMETER ARM UNTIL IT LOCKS IN PLACE**



**UPDATED GONIOMETER WITH
ABSOLUTE+AXIS® ACCURACY**

